

# BREATHER VALVES

## TYPE 1113R

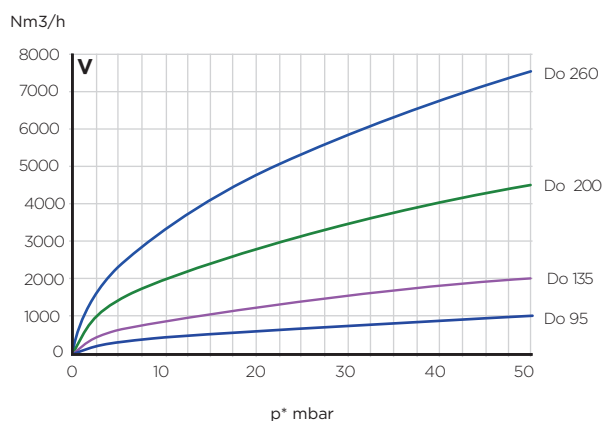
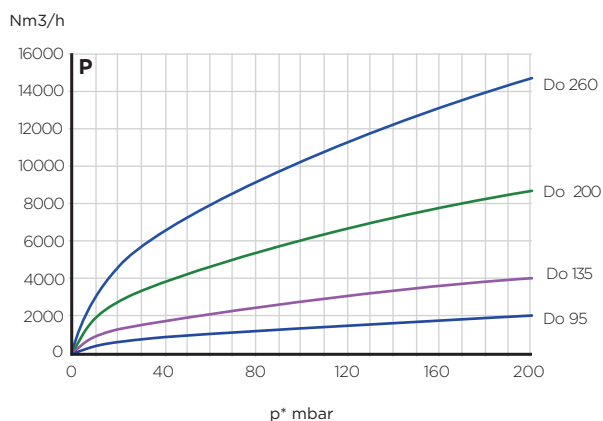


The 1113R range of pressure and vacuum breather valves are mainly fitted to tanks and silos, and will activate in the event of both high and low pressure in the tank or silo. A feature of this type of breather valve is the side outlet, making this valve extremely suitable for indoor use or for water treatment tanks. The side outlet enables the discharge of harmful gases via a closed system.

The 1113R valve can be set for opening pressures of 2.5 to 350 mbar.

As standard, the 1113R breather valves are made of aluminium, and if required, are also available in stainless steel 304 or 316. The connection flanges can be manufactured to comply with DIN EN1092-1 or ANSI B16.5 lbs150 standards.

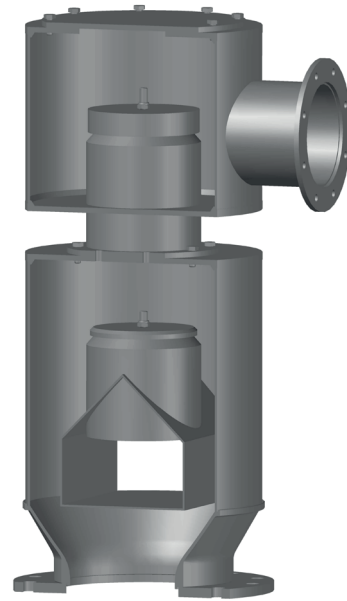
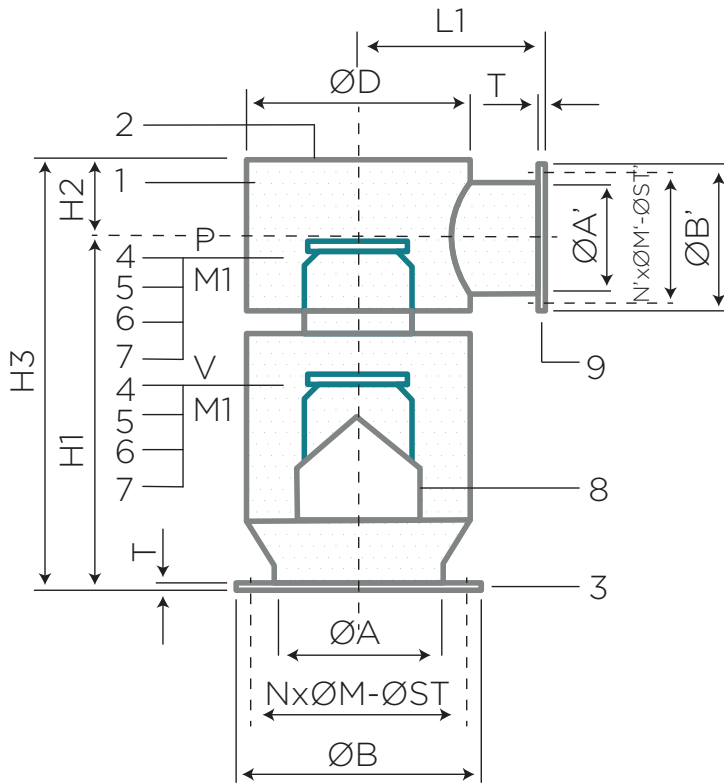
The following tables are based on some standard valve dimensions, and depending on the requirements, the breather valves can be modified to suit specific usage requirements. All our valves fall under the category of normal directly operating weight-loaded safety valves according to AD 2000 Merkblatt A2.



### AVAILABLE OPTIONS

U	Top proximity switch	✓
D	Bottom proximity switch	✓
H	Heating	✓
G	Coated	✓
C	Insulated	✓
X	Atex	✓
B	Bird screen	✓
K4	SS 304 weatherhood	∅
K9	SS 316 weatherhood	∅
M	Mounting kit: bolts nuts, washer, gaskets	✓





#### IMPLEMENTATION OF TYPE 1113R

PART	STANDARD	OPTIONAL
1 Valve body	Aluminium	SS 304/316
2 Blind flange	Aluminium	SS 304/316
3 Connection flange	Aluminium DIN EN1092-1	SS 304/316 ANSI B16.5 lbs150
4 Valve pallet	P: ST235 coated V: Aluminium	SS 304/316
5 Disc seal	Silicone	PTFE
6 Seating	Aluminium	SS 304/316
7 Guide	Aluminium/SS 303	SS 304/316
8 Air inlet	Aluminium	SS 304/316
9 Connection flange	Aluminium DIN EN1092-1	SS 304/316 ANSI B16.5 lbs150

#### STANDARD DIMENSIONS OF TYPE 1113R

ARTICLE	DO P/V	Ø D	H3	H2	H1	L1	CONNECTION FLANGE DIN
1113R-3134S-95/95	95/95	273	795	145	650	250	100/150
1113R-3134S-135/135	135/135	359	1020	185	835	300	150/200
1113R-3134S-200/200	200/200	520	1250	250	1000	400	250
1113R-3134S-260/200	260/200	639	1510	250	1260	470	350
1113R-3134S-200/95	200/95	480	1150	250	900	350	250

All valves are custom designed, and below is only a limited overview of the possible dimensions.