

BREATHER VALVES

TYPE 1111

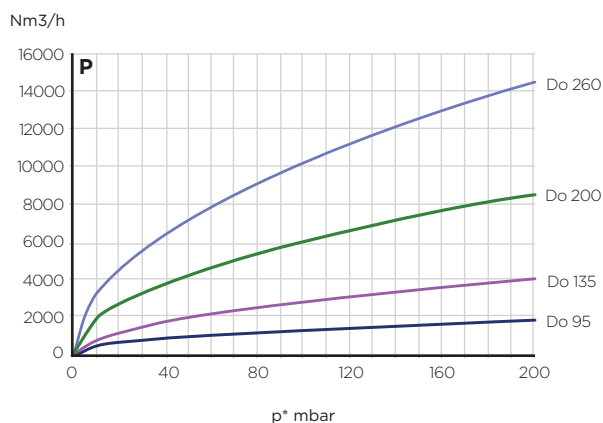


The 1111 range of relief breather valves are mainly fitted to tanks and silos and will activate in the event of both high and low pressure in the tank or silo. A feature of this type of breather valve is the side outlet, making this valve extremely suitable for indoor use or for water treatment tanks. The side outlet enables the discharge of harmful gases via a closed system.

The 1111 valve can be set for opening pressures of 2.5 to 350 mbar.

As standard, the 1111 breather valves are manufactured in aluminium, and if required, are also available in 304 or 316 stainless steel. The connection flanges can be manufactured to comply with DIN EN1092-1 type 01 PN10 or ANSI B16.5 lbs150 standards.

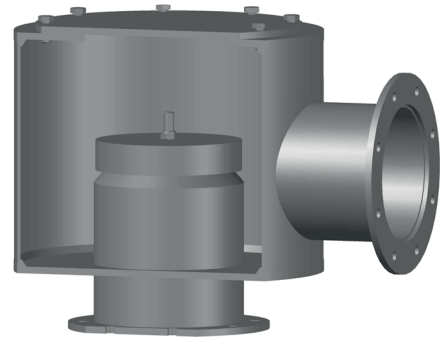
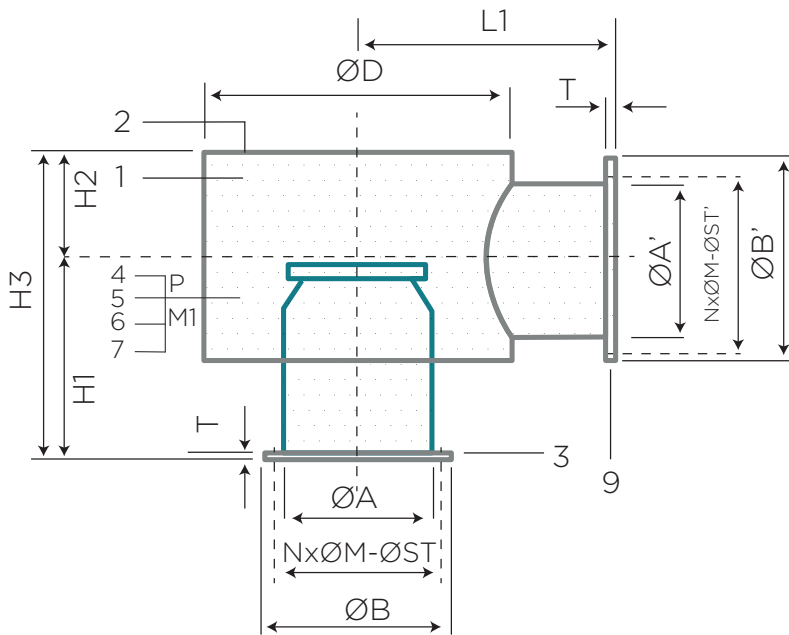
The following tables are based on some standard valve dimensions, and depending on the requirements, the breather valves can be modified to suit specific usage requirements. All our valves fall under the category of normal directly operating weight-loaded safety valves in accordance with AD 2000 Merkblatt A2.



AVAILABLE OPTIONS

Option Code	Description	Availability
U	Top proximity switch	✓
D	Bottom proximity switch	∅
H	Heating	✓
G	Coated	✓
C	Insulated	✓
X	Atex	✓
B	Bird screen	∅
K4	SS 304 weatherhood	∅
K9	SS 316 weatherhood	∅
M	Mounting kit: bolts nuts, washer, gaskets	✓





IMPLEMENTATION OF TYPE 1111

	PART	STANDARD	OPTIONAL
1	Valve body	Aluminium	SS 304/316
2	Blind flange	Aluminium	SS 304/316
3	Connection flange	Aluminium DIN EN1092-1 type01 PN10	SS 304/316 ANSI B16.5 lbs150
4	Valve pallet	P: ST235 coated	SS 304/316
5	Disc seal	Silicone	PTFE
6	Seating	Aluminium	SS 304/316
7	Guide	Aluminium/SS 303	SS 304/316
9	Connection flange	Aluminium DIN EN1092-1	SS 304/316 ANSI B16.5 lbs150

STANDARD DIMENSIONS OF TYPE 1111

ARTICLE	DO P	Ø D	H3	H2	H1	L1	CONNECTION FLANGE DIN
1111-3104S-95	95	220	288	128	160	190	100/100
1111-3104S-135	135	359	380	185	195	300	150/200
1111-3104S-200	200	480	435	205	230	380	250/250
1111-3104S-260	260	639	576	284	292	500	250/300

All valves are custom designed, and below is only a limited overview of the possible dimensions.